

CPVC Pipe & Threaded Fittings

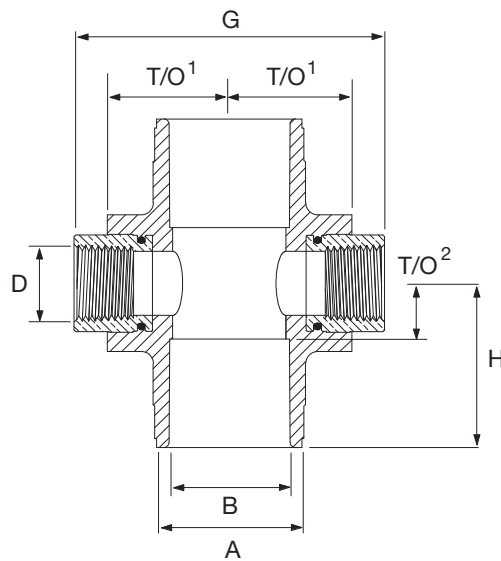
CPVC Fittings

Back-to-Back Sprinkler Head Cross, Slip x Female Thread



Sizes	DN25 x DN15 (1" x 1/2")
Approvals	UL, C-UL Listed & FM, MEA, NSF, & LPCB Approved
Rated Pressure	12,1 bar (175 psi)
Maximum Temperature Rating	65°C (150°F).
Tech Data Sheet	TFP1915 and Installation Handbook - IH-1900

Manufactured with Lubrizol's BLAZEMASTER® compound ■ Produced from BlazeMaster® thermoplastic compound, RAPID RESPONSE CPVC fittings are designed exclusively for use in wet and dry pipe automatic fire sprinkler systems. ■ Our CPVC is easier to install than traditional steel components, while providing superior heat resistance and strength compared to traditional CPVC and PVC fitting materials.



CPVC Back-to-Back Sprinkler Head Cross, Slip x Female Thread

Part No.	Size					A mm	G mm	H mm	T/O ¹ mm	T/O ² mm	Weight kg	Dry Wall Size	Approval Listings				
	B Nominal		D Threaded		Take-Out								LPCB	FM	UL	MEA	NSF
	DN	In.	DN	In.													
80462	25	1"	15	1/2" NPT	86mm (3-3/8")	40	86	45.5	30	15	0.209	1/2"	✓	✓	✓	✓	✓
80463	25	1"	15	1/2" NPT	92mm (3-5/8")	40	93	45.5	34	15	0.213	5/8"	✓	✓	✓	✓	✓